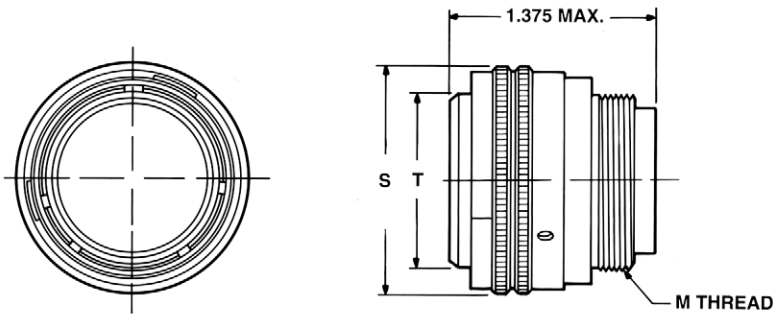
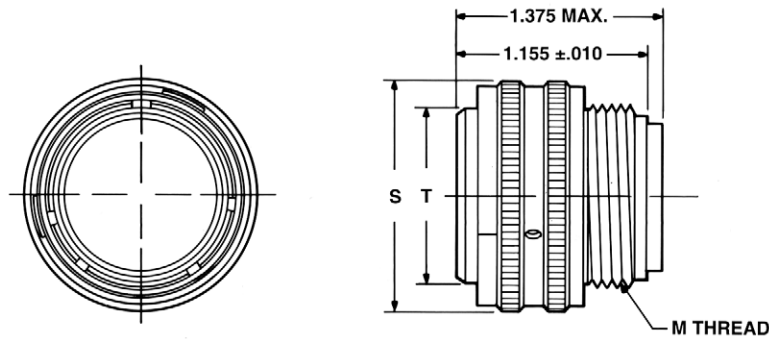


# Straight Plug

aluminum/stainless steel  
bayonet coupling



**STAINLESS STEEL**  
Pyle ZZW-RC-10XX\* Series  
MS24266EXXBXX\*  
Military Class E



**ALUMINUM**  
Pyle ZZW-AC-10XX\* Series  
MS24266RXXBXX\*  
Military Class R

\* To complete order number, see how to order, page 7.

| Shell Size | Cable Support Thread M |                        | Aluminum Connector Weight (lbs.) max including Contacts |               | Coupling Nut Dia S Max. |       | Shell Dia. T<br>+.000<br>-.005 |
|------------|------------------------|------------------------|---|---------------|-------------------------|-------|--------------------------------|
|            | Steel NS-2A            | Alum. UNEF-2A Modified | Pin Insert  | Socket Insert | Steel                   | Alum. |                                |
| 08**       | NA                     | .437-28                | .030  | .031          | NA                      | .762  | .424                           |
| 10         | .563-36                | .562-24                | .044  | .045          | .848                    | .904  | .526                           |
| 12         | .733-36                | .750-20                | .063  | .064          | 1.018                   | 1.076 | .696                           |
| 14         | .803-36                | .812-20                | .074  | .076          | 1.087                   | 1.122 | .765                           |
| 16         | .930-36                | .937-20                | .091  | .094          | 1.214                   | 1.264 | .892                           |
| 18         | 1.036-36               | 1.062-18               | .110  | .112          | 1.320                   | 1.373 | .998                           |
| 20         | 1.161-36               | 1.187-18               | .133  | .136          | 1.445                   | 1.503 | 1.123                          |
| 22         | 1.286-36               | 1.312-18               | .154  | .160          | 1.570                   | 1.623 | 1.248                          |
| 24         | 1.411-36               | 1.437-18               | .184  | .188          | 1.695                   | 1.752 | 1.373                          |
| 28         | NA                     | NA                     | NA  | NA            | NA                      | NA    | NA                             |

NA designates not available. \*\* Not available in Stainless Steel.  
All dimensions for reference only.